

1. Function

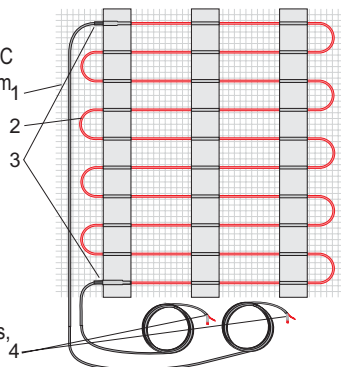
Floor Heating Mats MH on basis of single-conductor screened heating cable are designed for room heating when placed into the floor.

2. Design and specification

Floor Heating Mats consist of a section of single-conductor screened heating cable fixed on glass fibre net. Both ends of the heating section are terminated with a couples and connecting wires (installation cold leads).

Power supply 220 - 240 VAC
 Power output 100 - 150 W/sq.m₁
 Width 0.5 m
 Installation leads length: 4 m

1. Glass fibre net
2. Heating cable section
3. Couples
4. Installation leads
(white wires are heating section outputs, braid is the screen)



Rated parameters of Heating Mats MH powered by 240 VAC

Trademark	Heating cable colour	Power output, W	Surface area, sq.m	Operating current, A	Resistance, Ohms
MH 170-1.15	red	170	1.17	0.71	309.5 - 378.3
MH 225-1.5	grey	225	1.53	0.94	243.8 - 284.4
MH 275-2.0	green	275	2.01	1.15	198.7 - 231.8
MH 370-2.6	yellow	370	2.61	1.55	146.0 - 170.3
MH 480-3.3	blue	480	3.33	2.00	112.4 - 131.1
MH 590-4.0	grey	590	4.05	2.46	91.3 - 106.5
MH 680-4.6	green	680	4.65	2.84	79.3 - 92.5
MH 820-5.5	blue	820	5.55	3.42	65.5 - 76.4
MH 1000-6.9	grey	1000	6.92	4.17	54.6 - 63.7
MH 1170-8	yellow	1170	7.95	4.88	46.9 - 54.7
MH 1320-9.0	green	1320	8.97	5.50	41.5 - 48.4
MH 1550-10.5	red	1550	10.47	6.46	35.3 - 41.1
MH 1900-12.8	grey	1900	12.80	7.92	28.6 - 33.4
MH 2140-14.3	yellow	2140	14.31	8.92	25.5 - 29.8
MH 2500-17.0	blue	2500	17.07	10.42	21.7 - 25.4

3. Installation and operation conditions

1. Floor Heating Mats must be used according to recommendations of their manufacturer.
2. Floor Heating Mats must be earthed in accordance with current regulations concerning installation of electrical equipment and building codes.
3. Floor Heating Mats are connected to AC power supply via a thermostat. The connection of the heaters and the thermostat must perform a skilled electrician.
4. It is prohibited to break the integrity of the heating cable and the couples.
5. It is prohibited to lengthen the installation leads of Floor Heating Mats. In the case of insufficient length of the installation leads they are connected to the power cable via terminal block.
6. Floor Heating Mats must not be a subject of mechanical stress.
7. It is prohibited to power Floor Heating Mats being coiled, even for a little.
8. Floor Heating Mats must be completely flooded with a liquid for fastening the flooring tile.
9. It is recommended in the course of installation to draw a plan of Floor Heating Mats placement in the room including couples position. That will be useful for detection of the position of possible heater damage in the future.
10. After flooding Floor Heating Mats with the fastening liquid it is necessary to check their resistance value. It must correspond to that from the foregoing table.
11. It is prohibited to power Floor Heating Mats after flooding with the tile fastening liquid before it is fully dried up (according to corresponding instruction).
12. It is prohibited to connect Floor Heating Mats to power network with the supply voltage not corresponding to that of the heaters (240 VAC).

4. Delivery system

- | | |
|----------------------------|----------|
| 1. Floor Heating Mat MH | 1 piece. |
| 2. Technical specification | 1 piece. |
| 3. Package | 1 piece. |

5. Warranty

The producer guaranties that the quality of Floor Heating Mats meets the requirements of their technical specifications on conditions that the guidelines stated in p. 3 of the present document are fulfilled.

Warranty period - 16 years since the date of sale.

During the warranty period the customer has the right to repairing or replacement of the product if a failure is detected occurred trough the producer's fault and on conditions that all installation and operation guidelines stated in p. 3 of the present document are fulfilled. (Reimbursement of indirect costs related with product repairing is not provided.)

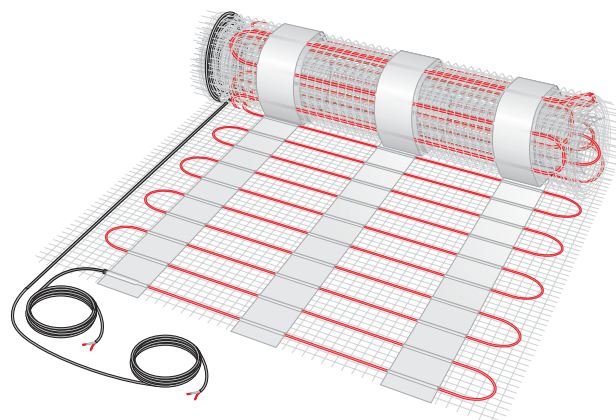
The warranty is provided on conditions that the customer has the present document correctly filled in p.6 and that the failure is examined by the representatives of the producer or of its authorised dealers. The warranty does not apply to failures caused by incorrect user's designing and product installation made by not skilled electrician.

6. Test certificate

Floor Heating Mat is fabricated and tested according to technical specifications and is declared disposable for service.



FOR 240 VAC POWER SUPPLY



TECHNICAL CERTIFICATE